

50G Excavator

26.8 kW (35.9 net hp)



JOHN DEERE

FEATURES

Meets EPA Final Tier 4 (FT4)/EU Stage IV engine standards. Delivers a seamless operator experience with no machine performance interruptions during the regeneration process. 10-percent increase in fuel efficiency in economy mode.

Larger front windshield provides even better visibility; wider entryway eases entrance to/exit from the more spacious operator station.

Multifunction monitor displays vital machine operating info, tracks engine and hydraulic oil maintenance intervals, and provides access to auto shutdown and economy/power modes.

Standard joystick pattern changer and auxiliary hydraulics.

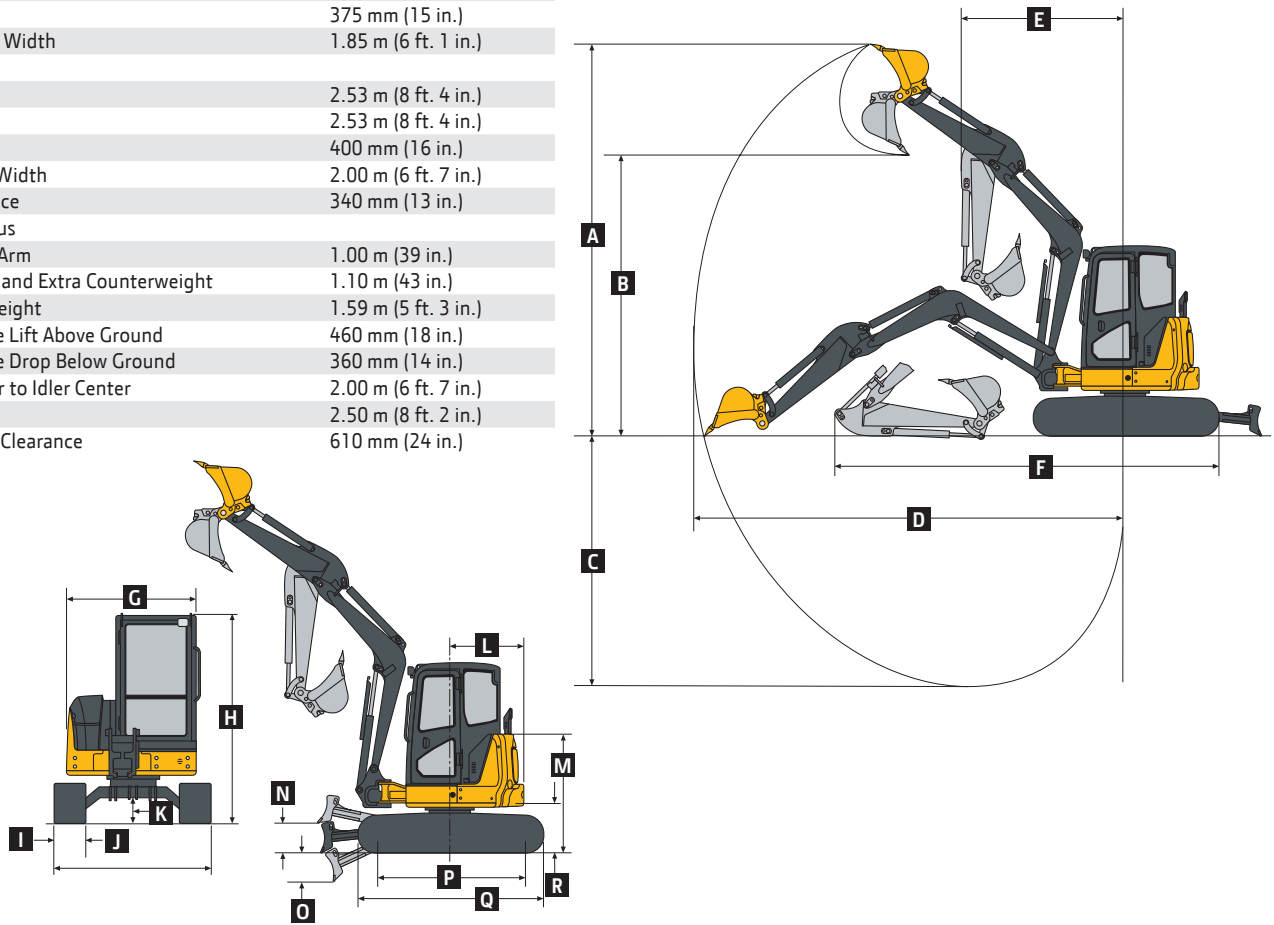
Additional service door provides easy access to side-by-side cooler cores, fuel filter/water separator, coolant overflow reservoir, battery, and Service ADVISOR™ connection.



Engine	50G			
Manufacturer and Model	Yanmar 4TNV88C-PHB			
Non-Road Emission Standard	EPA Final Tier 4/EU Stage IV			
Displacement	2.19 L (134 cu. in.)			
Net Power (ISO 9249)	26.8 kW (35.9 hp) at 2,400 rpm			
Powertrain				
Maximum Travel Speed				
Low	2.5 km/h (1.6 mph)			
High	4.2 km/h (2.6 mph)			
Hydraulics				
Pump Flow	120 L/m (31.7 gpm)			
Auxiliary Flow	87.4 L/m (23.1 gpm)			
Upperstructure				
Swing Speed	9.0 rpm			
Independent Swing Boom	<i>Canopy</i>			
Left	80 deg.	<i>Cab</i>		80 deg.
Right	60 deg.			60 deg.
Counterweight				
Standard	700 kg (1,543 lb.)			
Additional	200 kg (441 lb.)			
Operating Weights				
	1380-mm (4 ft. 6 in.)	1380-mm (4 ft. 6 in.)	1690-mm (5 ft. 7 in.)	1690-mm (5 ft. 7 in.)
	Standard Arm, Canopy, and Standard Counterweight	Standard Arm, Cab, and Standard Counterweight	Long Arm, Canopy, and Extra Counterweight	Long Arm, Cab, and Extra Counterweight
With 400-mm (16 in.) Rubber Track, Straight Blade, Full Fuel Tank, and 79-kg (175 lb.) Operator	4790 kg (10,560 lb.)	4920 kg (10,847 lb.)	5018 kg (11,063 lb.)	5148 kg (11,349 lb.)
Optional Angle Blade	409 kg (902 lb.)			

Operating Dimensions		50G			
		1380-mm (4 ft. 6 in.) Standard Arm and Canopy	1690-mm (5 ft. 7 in.) Long Arm and Canopy	1380-mm (4 ft. 6 in.) Standard Arm and Cab	1690-mm (5 ft. 7 in.) Long Arm and Cab
A	Maximum Cutting Height	5.75 m (18 ft. 10 in.)	6.00 m (19 ft. 8 in.)	5.75 m (18 ft. 10 in.)	6.00 m (19 ft. 8 in.)
B	Maximum Dumping Height	4.07 m (13 ft. 4 in.)	4.31 m (14 ft. 2 in.)	4.07 m (13 ft. 4 in.)	4.31 m (14 ft. 2 in.)
C	Maximum Digging Depth	3.53 m (11 ft. 7 in.)	3.83 m (12 ft. 7 in.)	3.53 m (11 ft. 7 in.)	3.83 m (12 ft. 7 in.)
D	Maximum Digging Reach	5.96 m (19 ft. 7 in.)	6.26 m (20 ft. 6 in.)	5.96 m (19 ft. 7 in.)	6.26 m (20 ft. 6 in.)
E	Minimum Front Swing Radius	2.21 m (7 ft. 3 in.)	2.30 m (7 ft. 7 in.)	2.21 m (7 ft. 3 in.)	2.30 m (7 ft. 7 in.)
F	Transport Length	5.47 m (17 ft. 11 in.)	5.52 m (18 ft. 1 in.)	5.47 m (17 ft. 11 in.)	5.52 m (18 ft. 1 in.)
Breakout Force (ISO 6015)					
	Bucket	36.8 kN (8,267 lb.)	36.8 kN (8,267 lb.)	36.8 kN (8,267 lb.)	36.8 kN (8,267 lb.)
	Arm	24.0 kN (5,401 lb.)	21.0 kN (4,718 lb.)	24.0 kN (5,401 lb.)	21.0 kN (4,718 lb.)

Machine Dimensions	
Blade	
Width	2.00 m (6 ft. 7 in.)
Height	375 mm (15 in.)
G Upperstructure Width	1.85 m (6 ft. 1 in.)
H Overall Height	
Canopy	2.53 m (8 ft. 4 in.)
Cab	2.53 m (8 ft. 4 in.)
I Track Width	400 mm (16 in.)
J Undercarriage Width	2.00 m (6 ft. 7 in.)
K Ground Clearance	340 mm (13 in.)
L Tail-Swing Radius	
With Standard Arm	1.00 m (39 in.)
With Long Arm and Extra Counterweight	1.10 m (43 in.)
M Engine Cover Height	1.59 m (5 ft. 3 in.)
N Maximum Blade Lift Above Ground	460 mm (18 in.)
O Maximum Blade Drop Below Ground	360 mm (14 in.)
P Sprocket Center to Idler Center	2.00 m (6 ft. 7 in.)
Q Track Length	2.50 m (8 ft. 2 in.)
R Counterweight Clearance	610 mm (24 in.)



Lift Capacities									
Ground Level at 3.05-m (10 ft.) Radius	Canopy and Standard Counterweight		Canopy and Extra Counterweight		Cab and Standard Counterweight		Cab and Extra Counterweight		
	Over Front*	Over Side	Over Front*	Over Side	Over Front*	Over Side	Over Front*	Over Side	
1380-mm (4 ft. 6 in.) Standard	2511 kg (5,531 lb.)	1110 kg (2,444 lb.)	2511 kg (5,531 lb.)	1232 kg (2,714 lb.)	2511 kg (5,531 lb.)	1150 kg (2,534 lb.)	2511 kg (5,531 lb.)	1273 kg (2,803 lb.)	
1690-mm (5 ft. 7 in.) Long	2477 kg (5,456 lb.)	1088 kg (2,396 lb.)	2477 kg (5,456 lb.)	1210 kg (2,666 lb.)	2477 kg (5,456 lb.)	1129 kg (2,486 lb.)	2477 kg (5,456 lb.)	1251 kg (2,755 lb.)	

*Blade down (limited by hydraulics).

