

85G Excavator

42.4 kW (56.9 net hp)



JOHN DEERE

FEATURES

Reduced tail swing helps open-up confined or congested areas. Independent swing-boom enables you to work even closer along curbs, around structures, or in traffic. Standard back-fill blade further expands versatility.

Rubber crawler pads, steel track shoes, or continuous rubber belt options let you choose the best undercarriage for your kind of work.

Spacious cab is equipped with easy-to-navigate enhanced LCD monitor that lets you dial-in a wealth of machine info and functionality.

EPA Final Tier 4/EU Stage IV diesel technology is simple, fuel efficient, fully integrated, and fully supported.

Highly efficient, heavy-duty cooling system keeps things cool, even in harsh environments or at high altitudes.

Industry-exclusive D-channel side frames, tungsten-carbide arm coating, and three welded boom bulkheads deliver long-term durability.



Engine	85G
Manufacturer and Model	Yanmar 4TNV98C-WHBW
Non-Road Emission Standard	EPA Final Tier 4/EU Stage IV
Net Power (ISO 9249)	42.4 kW (56.9 hp) at 2,000 rpm
Cylinders	4
Displacement	3.3 L (202 cu. in.)
Aspiration	Natural
Off-Level Capacity	70% (35 deg.)
Powertrain	
Maximum Travel Speed	
Low	3.1 km/h (1.9 mph)
High	5.0 km/h (3.1 mph)
Drawbar Pull	6650 kgf (14,661 lb.)
Hydraulics	
Open Center, Load Sensing	
Main Pumps	3 variable-displacement axial-piston pumps
Maximum Pump Flow	2 x 72 L/m (2 x 19 gpm)
System Operating Pressure	
Implement Circuits	26 000 kPa (3,771 psi)
Travel Circuits	31 400 kPa (4,554 psi)
Swing Circuits	25 000 kPa (3,626 psi)
Electrical	
Batteries	2 x 12 volt
Battery Capacity	2 x 450 CCA
Alternator Rating	50 amp
Work Lights	2 halogen (one mounted on boom and one on frame)
Swing Mechanism	
Swing Speed	10.5 rpm
Swing Torque	16 600 Nm (12,244 lb.-ft.)
Boom Swing	
Left	60 deg.
Right	60 deg.

Operating Weights

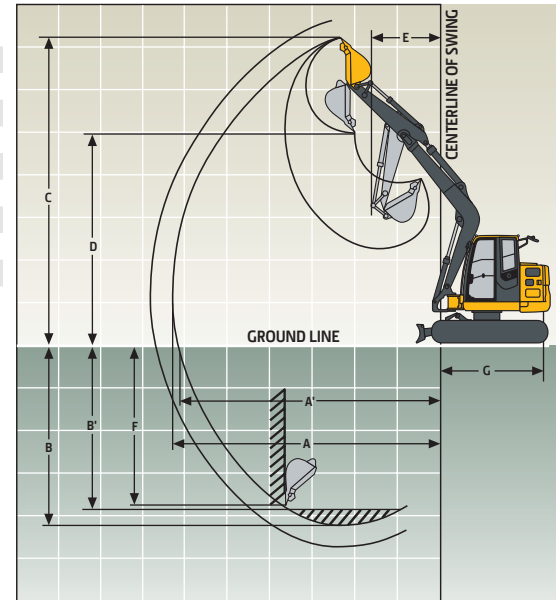
85G

With 0.31-m³ (0.41 cu. yd.), 762-mm (30 in.), 313-kg (691 lb.) Bucket; 2.12-m (6 ft. 11 in.) Arm; 1408-kg (2,877 lb.) Counterweight; Full Fuel Tank; and 75-kg (165 lb.) Operator

	2470-mm (8 ft. 1 in.) Blade	2220-mm (7 ft. 3 in.) Blade
600-mm (24 in.) Shoes	8537 kg (18,821 lb.)	—
450-mm (18 in.) Shoes	N/A	—
450-mm (18 in.) Rubber Crawler Pads	—	N/A
450-mm (18 in.) Continuous Rubber Belt	—	N/A

Operating Dimensions

	Arm Length 1.62 m (5 ft. 4 in.)	Arm Length 2.12 m (6 ft. 11 in.)
Arm Force (ISO)	35.5 kN (7,981 lb.)	30.7 kN (6,902 lb.)
Bucket Force (ISO)	46.6 kN (10,476 lb.)	46.6 kN (10,476 lb.)
A Maximum Reach	7.21 m (23 ft. 8 in.)	7.70 m (25 ft. 3 in.)
B Maximum Digging Depth	3.99 m (13 ft. 1 in.)	4.51 m (14 ft. 10 in.)
C Maximum Cutting Height	6.79 m (22 ft. 3 in.)	7.14 m (23 ft. 5 in.)
D Maximum Dumping Height	4.77 m (15 ft. 8 in.)	5.08 m (16 ft. 8 in.)
E Minimum Swing Radius	2.74 m (9 ft. 0 in.)	2.89 m (9 ft. 6 in.)
F Maximum Vertical Wall	3.47 m (11 ft. 5 in.)	4.05 m (13 ft. 3 in.)
G Tail Swing Radius	1.49 m (4 ft. 11 in.)	1.49 m (4 ft. 11 in.)



Machine Dimensions

	Arm Length 1.62 m (5 ft. 4 in.)	Arm Length 2.12 m (6 ft. 11 in.)
A Overall Length	6.64 m (21 ft. 9 in.)	6.82 m (22 ft. 5 in.)
B Overall Height	2.61 m (8 ft. 7 in.)	N/A
C Rear-End Length/Swing Radius	1.49 m (4 ft. 11 in.)	
D Distance Between Idler/Sprocket Centerline	2.29 m (7 ft. 6 in.)	
E Undercarriage Length	2.92 m (9 ft. 7 in.)	
F Counterweight Clearance	0.72 m (28 in.)	
G Upperstructure Width	2.32 m (7 ft. 7 in.)	
H Cab Height	2.53 m (8 ft. 4 in.)	
I Track Width		
With 600-mm (24 in.) Shoes	0.60 m (24 in.)	
With 450-mm (18 in.) Shoes	0.45 m (18 in.)	
J Gauge Width	1.87 m (6 ft. 2 in.)	
K Ground Clearance	360 mm (14 in.)	
L Undercarriage Width		
With 600-mm (24 in.) Shoes	2.20 m (7 ft. 3 in.)	
With 450-mm (18 in.) Shoes	2.47 m (8 ft. 1 in.)	
M Blade Height	460 mm (18 in.)	
Blade Width		
Steel	2470 mm (8 ft. 1 in.)	
Rubber	2200 mm (7 ft. 3 in.)	
N Blade Lift Height	340 mm (13 in.)	
O Blade Lift Angle	26 deg.	
P Blade Cut Below Grade	320 mm (13 in.)	

